



# T&S BRASS AND BRONZE WORKS, INC.

2 Saddleback Cove / P.O. Box 1088  
Travelers Rest, SC 29690

Model No.

**B-0664-05**

Item No.

Travelers Rest, SC: 800-476-4103 • Simi Valley, CA: 800-423-0150 • Fax: 864-834-3518 • www.tsbrass.com



**ADA Compliant**

This Space for Architect/Engineer Approval

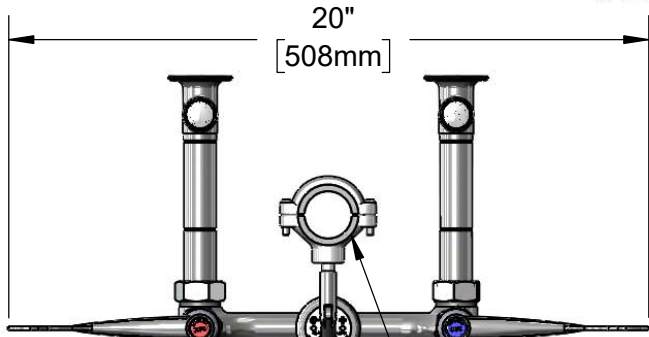
Job Name \_\_\_\_\_ Date \_\_\_\_\_

Model Specified \_\_\_\_\_ Quantity \_\_\_\_\_

Customer/Wholesaler \_\_\_\_\_

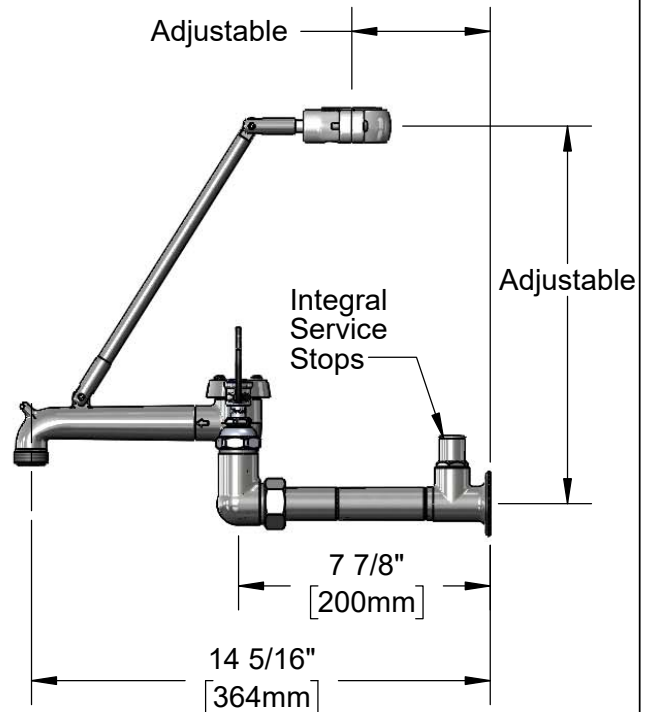
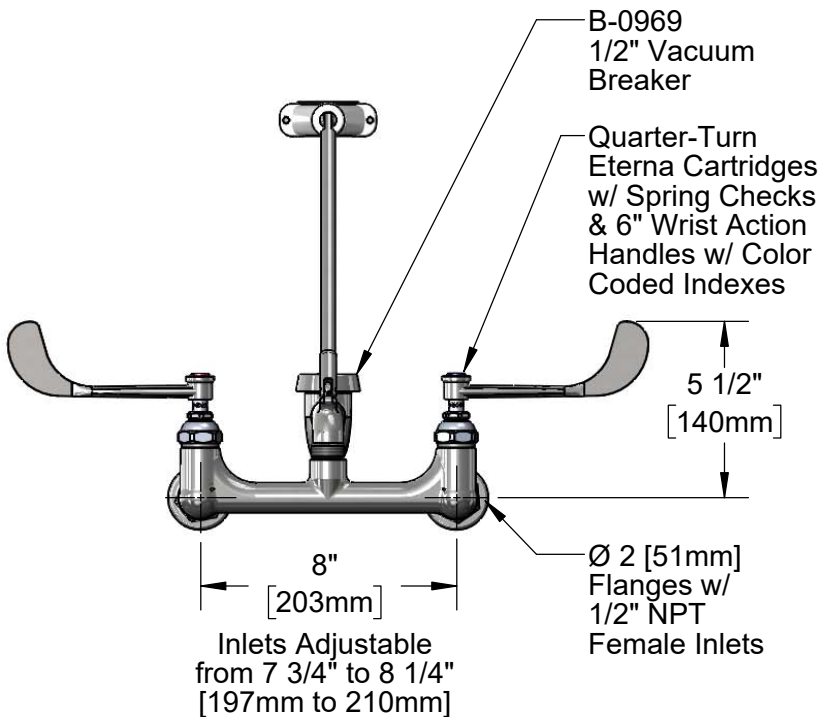
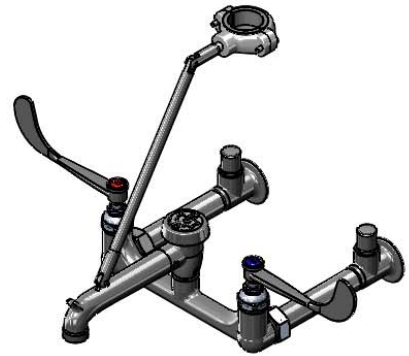
Contractor \_\_\_\_\_

Architect/Engineer \_\_\_\_\_



Split-Ring Clamp Upper Assembly Fastens to  $\varnothing$  1 1/2" O.D. Flush Tube (not shown)

Garden Hose Male Outlet



**Product Specifications:**

8" Wall Mount Service Sink Faucet, Quarter-Turn Eterna Cartridge w/ Spring Checks, Polished Chrome Finish, Split-Ring Clamp Upper Assembly for use on  $\varnothing$  1 1/2" O.D. Flush Tubes, 6" Wrist Handles, Vacuum Breaker, 1/2" NPT Female Inlets, Integral Stop & Garden Hose Male Outlet

**Product Compliance:**

ASME A112.18.1 / CSA B125.1  
NSF 61 - Section 9  
NSF 372 (Low Lead Content)  
ANSI A117.1 (ADA)  
ASSE 1001 (VB)



# T&S BRASS AND BRONZE WORKS, INC.

2 Saddleback Cove / P.O. Box 1088  
Travelers Rest, SC 29690

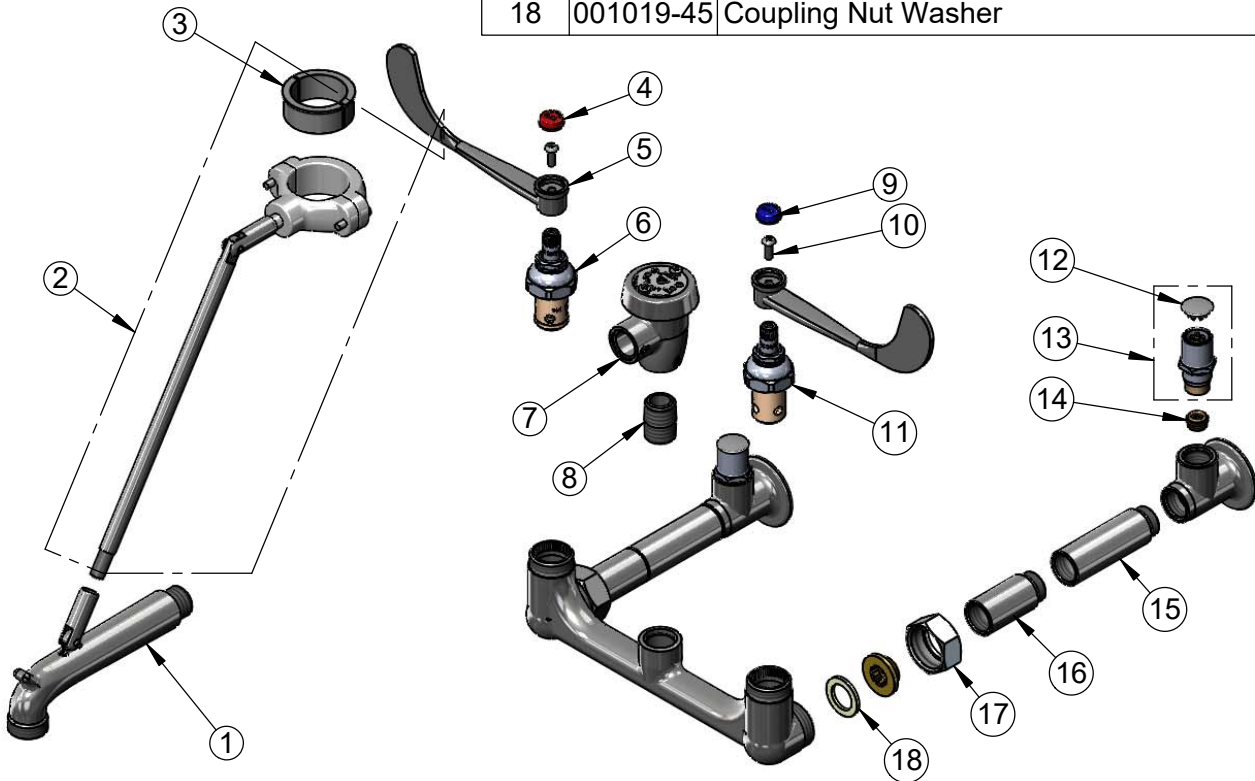
Model No.

**B-0664-05**

Item No.

Travelers Rest, SC: 800-476-4103 • Simi Valley, CA: 800-423-0150 • Fax: 864-834-3518 • www.tsbrass.com

ITEM NO.	SALES NO.	DESCRIPTION
1	009545-40	Spout w/ Clevis Assembly
2	016449-40	Split-Ring Clamp Upper Assembly
3	016863-20	Clamp Split Bushing (Set of 2 Halves)
4	001194-45	Red Index - HW
5	B-WH6	6" Wrist Action Handle
6	012443-40	Quarter-Turn Eterna Cartridge, RTC w/ Spring Check
7	B-0969	1/2" NPT Vacuum Breaker
8	002534-25	Close Nipple, 1/2" NPT
9	001686-45	Blue Index - CW
10	000925-45	Lab Handle Screw
11	012442-40	Quarter-Turn Eterna Cartridge, LTC w/ Spring Check
12	001605-45	Cap
13	002892-40	Spindle Asm w/ Cap
14	000763-20	Seat
15	000610-25	Extension, 2 3/4" Long
16	000611-25	Extension, 1 3/4" Long
17	000721-25	Flange Coupling Nut
18	001019-45	Coupling Nut Washer



**Product Specifications:**

8" Wall Mount Service Sink Faucet, Quarter-Turn Eterna Cartridge w/ Spring Checks, Polished Chrome Finish, Split-Ring Clamp Upper Assembly for use on Ø 1 1/2" O.D. Flush Tubes, 6" Wrist Handles, Vacuum Breaker, 1/2" NPT Female Inlets, Integral Stop & Garden Hose Male Outlet

**Product Compliance:**

ASME A112.18.1 / CSA B125.1  
NSF 61 - Section 9  
NSF 372 (Low Lead Content)  
ANSI A117.1 (ADA)  
ASSE 1001 (VB)